

Grade Eight Science
Chapter 8 Definitions

Concave Mirror***

Inverted

Objective Lens***

Virtual Image

Optic Nerve

Iris

Retina

Accommodations

Convex Mirror***

Real Image

Prism ***

Blind Spot

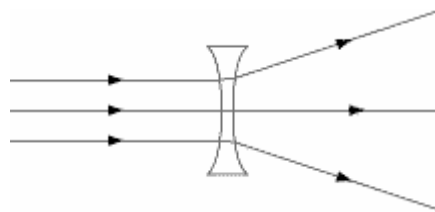
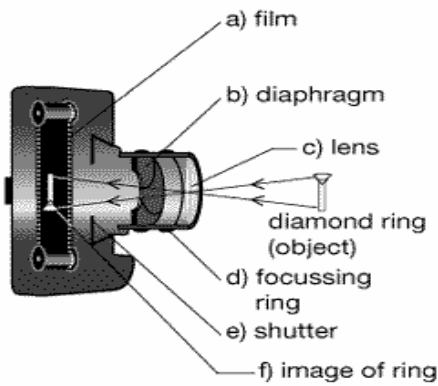
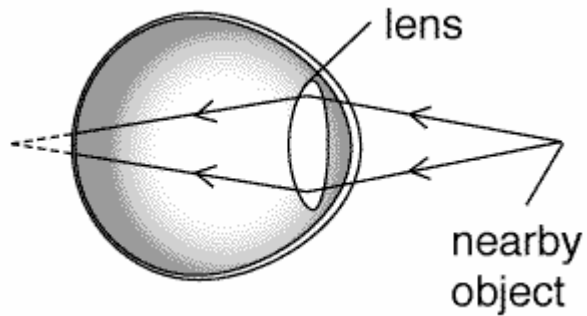
Refracting Telescope

Near-sighted

Far-sighted

Concave

Convex



***** Use 3 point approach!**